

Selected examples of the Use of Static Reactive Power Sources to Compensate the Reactive Power of a Wind Farm and Support the Voltage and Reactive Power Control at the Point of Common Coupling

Authors

Jarosław Klucznik
 Dariusz Kołodziej

Keywords

wind farm, reactive power compensation, static reactive power sources, URST

Abstract

The paper presents selected real examples of the reactive power compensation of a wind farm grid using all available reactive power sources. It also discusses the possibility of extending the currently available range of reactive power regulation of a wind farm using installed capacitor banks and shunt reactors. The examples presented here are a collection of the authors' experiences from the design and implementation of the URST control systems in wind farms Osieki (Pomeranian Voivodeship) and Banie (West Pomeranian Voivodeship).

DOI: 10.12736/issn.2300-3022.2017208

Received: 14.02.2017

Accepted: 07.03.2017

Available online: 30.06.2017

1. Introduction

Transmission system operator's requirements for the wind farms connected to the highest voltage power substations, including the need to maintain set values at the point of common coupling, have forced the installation of additional static reactive power sources in the designed wind farms.

Wind farms, except wind turbines with reactive power control, are equipped with capacitor banks and shunt reactors (with fixed or adjustable power). These sources primarily serve to compensate for the reactive power of the farm's internal grid, but they can also be used to extend the voltage and reactive power control capability at the point of common coupling.

The paper presents a collection of experiences from the design and implementation of the URST control systems in URST wind farms Osieki and Banie. The URST control systems developed by the Institute of Power Engineering are designed for wind farms and ensure their adjustment to the transmission grid code requirements IRIESP [1], for example by way of completion of the missing control criteria, implementation of the interoperability with supervision control systems, and extension of the static reactive power sources control functions in the wind farm's substation.

2. Wind farm Osieki

Simplified diagram of the WF Osieki is shown in Fig. 1. The farm is located in the vicinity of Kopaniewo in the district of Lębork. It has 30 ALSTOM wind turbines with a total capacity 90 MW. It is connected to the power system in the 110 kV switchgear separated for wind farms at 400/110 kV Żarnowiec substation. The connection is made of a ca. 40 km double-circuit cable line. The Osieki wind farm's substation is made up of one 110/30 kV transformer (TR1), one 110 kV 29.4–67.0 Mvar adjustable reactor (DŁA), two 30 kV 0.63 Mvar reactors DŁ1, DŁ2), and two 30 kV 0.3 and 0.4 Mvar capacitor banks (BKR1, BKR2). The farm's wind turbines are connected to the 30 kV switchgear with several cable lines and can together supply reactive power in the range of –45 to +45 Mvar (at low voltage).

In accordance with the requirements set out by the transmission system operator [2], the wind farm at standstill shall ensure that power factor $\cos \varphi = 1.0$ is maintained at the point of common coupling, i.e. that the reactive power in its internal grid is compensated. In the absence of active power generation in wind turbines, the reactive power sources in the farm's internal grid, which need to be compensated, are primarily the capacitances of the double-circuit 110 kV cable line that outputs power from the farm to the power system, the capacitances of the cable

lines connecting the wind turbines to the 30 kV switchgear at the WF substation, as well as the reactive power losses in the reactances of T1 transformer and the transformers of individual wind turbines.

Changes in voltage U in the 110 kV switchgear of Żarnowiec substation cause noticeable changes in the reactive power generated in the 110 kV double-circuit cable line. Maintaining a constant voltage in the substation's 30 kV switchgear with TR1 transformer reduces the impact of 110 kV voltage changes on the reactive power generated in 30 kV lines (with limited accuracy due to step change in the transformer ratio, set deadband, and voltage control delay).

Of prime importance to the process of the Osieki farm grid's reactive power compensation is the 110 kV adjustable reactor (DŁA) with a 21-position tap changer that enables the power adjustment from 29.4 to 67.0 Mvar at the rated voltage. The DŁA reactor power range should be sufficient to compensate the reactive power of the farm operated with either one or two 110 kV cable circuits connected in parallel. The reactor power rush due to a tap change is not constant, at the rated near the 21st positions of the changer it is only 1.0 Mvar, while in the vicinity of the 1st it is 3.3 Mvar. Because of the significant change in the DŁA reactor power, additional static reactive power sources had to be applied, i.e. reactors (DŁ1, DŁA2) and capacitor banks (BKR1,

BKR2), to achieve a sufficient compensation accuracy in the order of a Mvar fractionation as measured at the point of the farm connection. The process of the Osieki wind farm grid's automatic power compensation (by the device marked URST in Fig. 1), while the turbines are idle, is implemented as follows:

- TR1 transformer serves to maintain a constant voltage in the 30 kV switchgear with the accuracy resulting from the set control dead band and delay. Adjustment parameters have been selected to ensure a limited number of tap changer position changes. The voltage control is coordinated with that by means of static reactive power sources;
- The reactive power compensation program checks the deviation from zero of the reactive power Q measured at the farm's point of common coupling in Żarnowiec substation. If a permanent power deviation greater than the DŁA reactor power rush due to a tap changer position change is detected, the program decides to change the reactor power, i.e. to change the position of the reactor's tap changer, to reduce the deviation. The above step is repeated with some delay if the deviation from zero of the reactive power at the point of connection is greater than the DŁA reactor power rush;
- Upon completion of the adjustable DŁA reactor's action, additional regulation is performed by means of the reactors and capacitor banks on the 30 kV switchboard side. This allows to

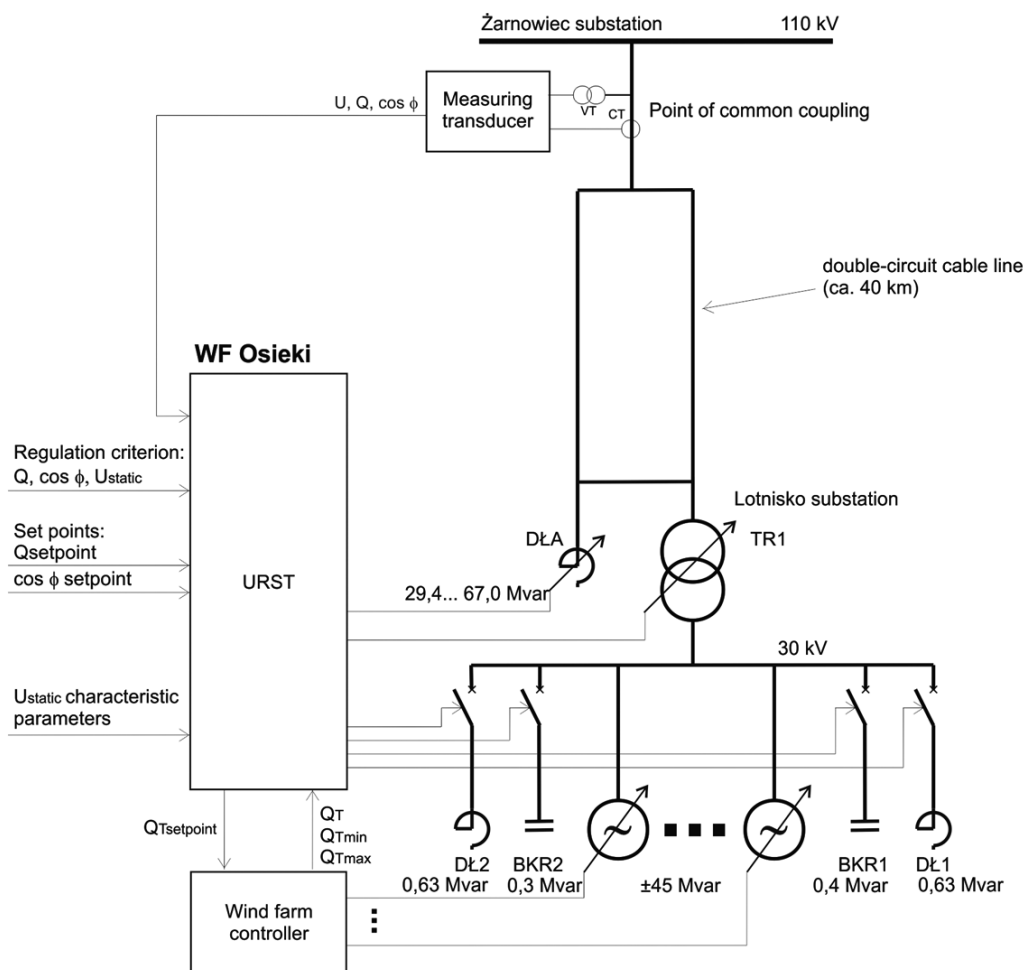


Fig. 1. Simplified Osieki WF diagram

obtain the accuracy of a fraction of Mvar. The algorithm calculates and selects a variant of further operation whereby the reactive power at the point of the farm's connection will be closer to zero under the actual conditions. As the first further operation variant, only the change in the actual configuration of the reactors and capacitor banks' connection on the 30 kV side is analysed. The second variant consists in an additional change of the position of the adjustable DŁA reactor's tap changer followed by a change in the actual configuration of the reactors and capacitor banks' connection. Ultimately, this variant is realised, which allows the reactive power to be closer to zero at the point of the farm's connection.

The preset control activation thresholds (dead bands) and delays have been selected so that, similarly to the voltage regulation with TR1, the numbers of the changes in the position of the adjustable 110 kV reactor's tap changer and of the activations or deactivations of the reactors and capacitor banks on the 30 kV side would be limited due to the wear and tear of the tap changers and switches. Control of the static reactive power source switches on the 30 kV side also takes into account, as much as possible, the number of automatic activations or deactivations, so as to uniformly wear and tear the switchgear. When the Osieki wind farm is operating, i.e. the wind turbines generate electricity, the use of static reactive power sources undergoes a certain change.

In general, static reactive power sources are used to ensure the fulfilment of the transmission or distribution system operator's requirement of the wind farm's capability to generate reactive power. In some wind turbines, the use of additional static reactive power sources is necessary to meet the requirement of reactive power availability in the range of capacitive $\cos \varphi = 0.95$ to inductive $\cos \varphi = 0.95$ with the active power equal to the capacity [1, 2]. In other cases, static sources extend the available reactive power range beyond the required range, which is advantageous for the transmission or distribution system operator.

Total reactive power of wind turbines in the Osieki farm, while they are operating, amounts to ± 45 Mvar range for the low voltage side. Fig. 2 shows the PQ characteristics of a single Alstom turbine [3]. From the figure shown, wind turbines with significant surplus meet the requirement of reactive power output in the range defined by $\cos \varphi = 0.95$.

In order to ensure the same range of reactive power as at $\cos \varphi = 0.95$ at the point of the wind farm's connection to the power system, it is necessary to compensate for the reactive power in the wind farm's internal grid also when the farm's wind turbines are running.

As with the farm at standstill, the capacity of the cable lines and the reactive power losses in the transformer's reactances are responsible for its non-compensating. Reactive power generated in 110 and 30 kV lines depends on the voltage in the lines. In addition, the reactive power balance includes the reactive power losses dependent on the wind turbines' active power output at a given moment. Therefore, maintaining the wind farm grid in the compensated condition is a continuous process that follows the voltage changes at the common coupling point and in the farm grid and the wind turbines' active power output. However,

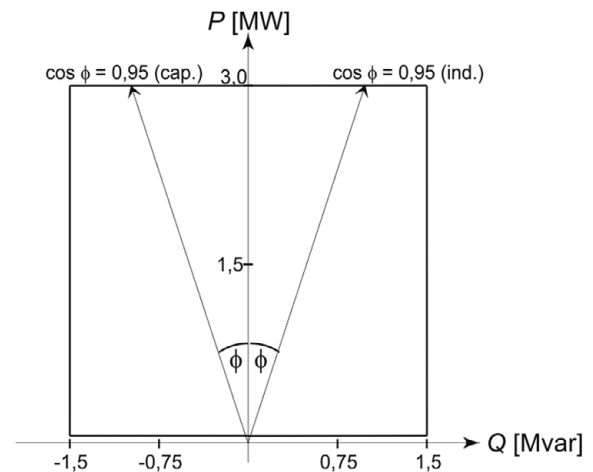


Fig. 2. PQ characteristic of wind turbine at Osieki WF

it doesn't need to be done with the same accuracy as in the farm at standstill, where it is necessary to maintain $\cos \varphi = 1.00$ at the point of common coupling, but only enough to ensure the availability of reactive power within the range defined by $\cos \varphi = 0.95$. The automatic adjustment process including static reactive power sources and wind turbines performs the reactive power compensation described above, and also uses a static source to extend the reactive power control range of the farm at the point of connection when required. The adjustment follows the following rules:

- Due to the speed of response and the range of available reactive power, wind turbines play an important role in the process of adjusting the selected parameter (reactive power, power factor $\cos \varphi$, voltage according to static characteristics) at the point of the wind farm connection;
- Control by DŁA adjustable reactor on the 110 kV side, due to the economical use of its tap exchanger, is a slow process that serves the above described reactive power compensation. The difference between reactive power Q measured at the common coupling point and aggregate reactive power Q_T generated by all turbines and measured on the low voltage side is calculated. This difference is used as a measure of the farm grid's non-compensation during its operation. Changing DŁA reactor's power by changing its tap changer's position is intended to reduce this difference, i.e. to ensure that the requirement is satisfied of the reactive power availability in the range corresponding to $\cos \varphi = 0.95$ at the point of connection;
- When, resulting from the adjustment of selected parameters at the common coupling point, the wind turbines' regulation capacity is exhausted, i.e. the aggregated reactive power Q_T generated by the turbines is close to the maximum Q_{Tmax} or minimum Q_{Tmin} of the reactive power that all turbines can deliver under actual conditions, the power of DŁA reactor is then changed to increase the capacity. For Osieki WF it was assumed that when $(Q_{Tmax} - Q_T) < 10$ Mvar or $(Q_T - Q_{Tmin}) < 10$ Mvar the power of DLA reactor is changed, which moves the turbines' aggregate reactive power Q_T closer to the centre of $\langle Q_{Tmin}, Q_{Tmax} \rangle$ range. Maintaining reactive

power Q_T closer to the centre of the range that determines the available reactive power output of the farm's all turbines ensures that in the event of a sudden change in demand for reactive power or in response to a significant setpoint jump resulting in the need for a change in the reactive power output, the regulation will not need to be started with the time-consuming reactor power change, as the supply of reactive power available in the turbines will allow for faster reaction. In addition, this solution also allows for widening the range of available reactive power beyond that provided by the turbine with the power which, to an extent, the adjusted reactor can provide;

- The reactors and capacitor banks on the 30 kV switchgear side are not used because of their negligible power and the lack of a noticeable effect on the adjusted parameters at the farm connection point;
- Voltage regulation in the 30 kV switchgear using TR1 transformer is subject to the same rules as in the case of the farm at standstill.

3. Banie wind farm

Fig. 3 shows a simplified diagram of the Banie wind farm. It is located in the municipality of Kozielice (Pyrzyce district),

where 53 VESTAS wind turbines with 106 MW aggregate capacity are installed, and where Kozielice 110/33 kV substation is located. The Banie wind farm is connected to the power system at the 220 kV switchgear of Krajnik 400/220/110 kV power substation. Power from the wind farm is output through the Kozielice substation through an over 40 km cable line to the second, Nowe Czarnowo 220/110 kV, substation, located just near the Krajnik substation, where the farm is connected to the system. There are two 110/33 kV transformers in Kozielice substation, TR1 and TR2. To the substation's 33 kV switchgear the wind turbines are connected with cable lines. Nowe Czarnowo substation is equipped with one 220/110/30 kV transformer (TR1) and three static reactive power sources at the 30 kV switchgear: one 11 Mvar capacitor bank (BKS1) and two 25 Mvar reactors (DL1, DL2).

Like Osieki WF, the farm, while idle, is required by the transmission system operator to maintain $\cos \varphi = 1.0$ [4] at the point of its connection. The reactive power sources that cause the farm's internal grid's non-compensation are the capacities of 110 and 33 kV cable lines and reactive power losses in the transformers at the both substations.

To compensate for the reactive power of the idle wind farm's internal grid the DL1 and DL2 reactors and BKS1 capacitor banks

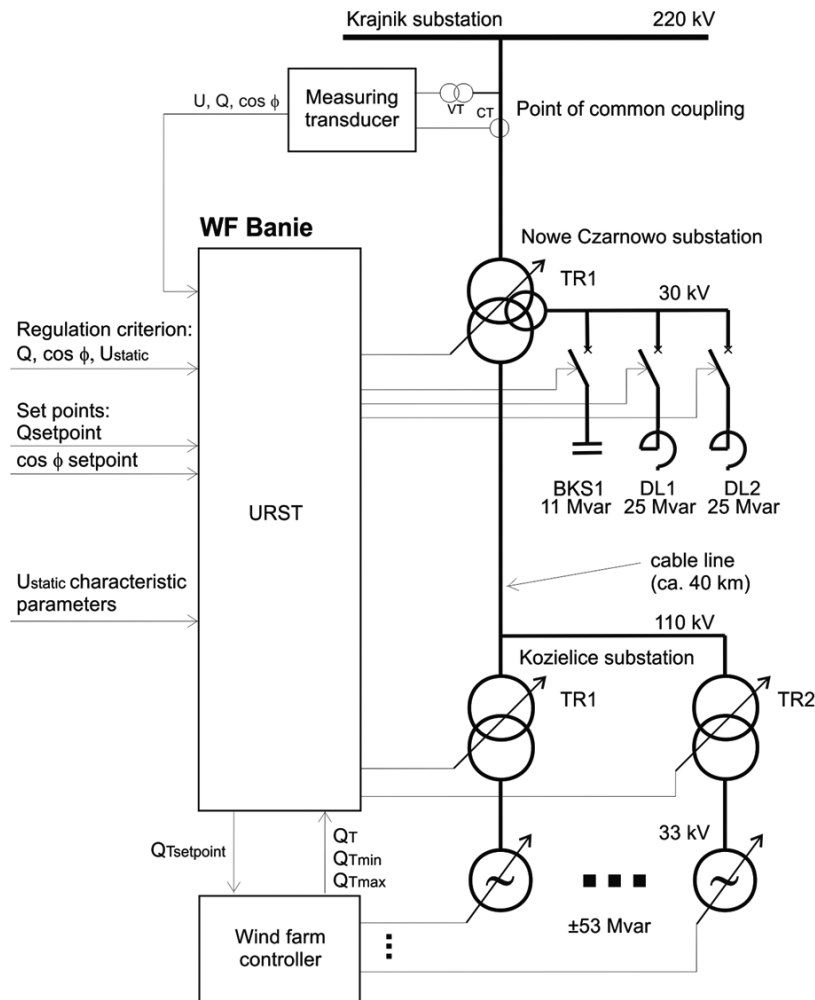


Fig. 3. Simplified WF Banie diagram

are used in the first place, which are switched on at the 30 kV switchgear connected to the third winding of 220/110/30 kV TR1 transformer at the Nowe Czarnowo substation. The static reactive power sources' powers have been so selected that, as a result of their proper activation, reactive power of several Mvar is reached at the wind farm's point of common coupling.

Further measures aimed at the farm grid's accurate compensation, i.e. bringing the reactive power at the point of common coupling as close to zero as possible, are implemented using TR1 220/110/30 kV transformer in Nowe Czarnowo substation and the over 40 km 110 kV cable line connecting both substations. The dependence of the reactive power generated in the cable line on its voltage was leveraged (with gain of ca. 0.5 Mvar/kV). Since the TR1 and TR2 transformers at Kozielice substation are responsible for maintaining a constant voltage in the 33 kV switchgear, it is not necessary to maintain a constant voltage in the wind farm's internal 110 kV grid using the TR1 transformer at Nowe Czarnowo substation. Maintaining an appropriate voltage at the 110 kV switchgear of Nowe Czarnowo substation leads to the generation of such reactive power in the cable line, which is needed to accurately compensate the farm at the point of its connection (with the accuracy resulting from the voltage jump due to a change of the tap changer's position). The flexibility, with which the voltage in the 110 kV grid can be changed as part of the reactive power compensation process in Banie FW, reaches ca. 7–8 kV. It depends on the voltage level at the 220 kV switchgear in Krajnik substation, on the adjustment ranges of the transformer tap changers in the farm's substations, on the voltages permitted in individual switchgear, and on other restrictions.

The process of the Banie wind farm grid's automatic power compensation (by the device marked URST in Fig. 3), while the turbines are idle, is implemented as follows:

- TR1 and TR2 transformers at Kozielice substation serve to maintain a constant voltage in the 33 kV switchgear with the accuracy resulting from the set control dead band and delay. Adjustment parameters have been selected to ensure a limited number of tap changer position changes. The voltage regulation is coordinated with that by means of static reactive power sources;
- The reactive power compensation program checks the deviation from zero of the reactive power Q measured at the farm's point of common coupling in Krajnik substation. In case of high deviation of reactive power, it is decided to change the configuration of the reactors' and capacitor banks' connection so that the deviation is reduced;
- Upon completion this operation with the use of static reactive power sources, the additional regulation is performed by changing the voltage in the 110 kV switchgear, i.e. by way of one or more changes of TR1 transformer voltage ratio at Nowe Czarnowo substation (change of the tap changer position). In this way, it is possible to obtain reactive power compensation accuracy of a fraction of Mvar. Voltage in the wind farm's 110 kV grid is changed unless the permitted voltages have been exceeded at its individual nodes, and the extreme positions of individual transformers' tap changers have been reached.

The preset control activation thresholds (dead bands) and delays have been selected so that the numbers of the changes in the position of individual transformers' tap changers, and of the activations or deactivations of the reactors and capacitor banks on the 30 kV side would be limited due to the wear and tear of the tap changers and switches. Control of the static reactive power source switches also takes into account, as much as possible, the number of automatic activations or deactivations, so as to uniformly wear and tear the switchgear.

When Banie wind farm is running, the static reactive power sources are still used to compensate the reactive power of its inner grid. However, the use of TR1 220/110/30 kV transformer is different, as there is no longer any need for precise compensation. All three transformers are responsible for maintaining constant voltages at the respective 110 and 33 kV nodes of the farm's internal grid, and for mitigating the effect of changes in the wind turbines' reactive power output on voltage levels in the farm's internal grid.

Wind turbines in Banie farm can generate the aggregate reactive power in the range of ± 53 Mvar, provided that their active power output fits in an interval in which they have the widest range of reactive power. Fig. 4 shows the PQ characteristics of a single Vestas turbine [5]. It follows from the figure that the turbines alone do not fully meet the transmission or distribution system operator's requirement of the capability to generate reactive power within the range defined by $\cos \phi = 0.95$ [1, 4]. Although over a wide range of active power output they generate reactive power with a large surplus compared to the requirements, with an active power output already close to the capacity the range of available reactive power is clearly narrowing. In this case, the reactive power generation capability requirement can be met with the support from additional reactive power sources such as capacitor banks and reactors.

The process of automatic adjustment of a selected parameter at the WF Banie point of common coupling (reactive power, power factor $\cos \phi$, voltage according to static characteristics), including static reactive power sources and wind turbines, performs the above-mentioned reactive power compensation when necessary.

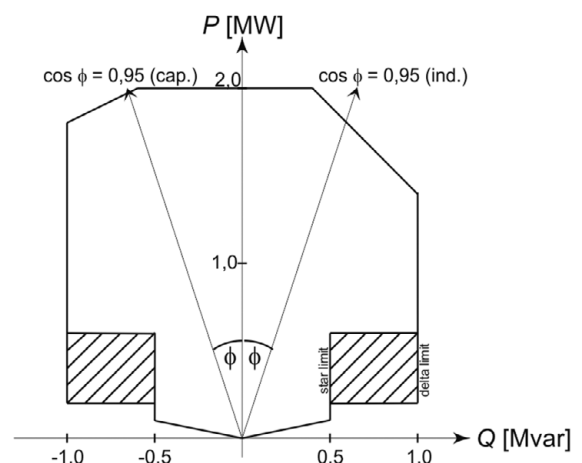


Fig. 4. PQ characteristic of wind turbine at Banie WF

The static sources are used to extend the reactive power control range of the wind farm as a whole under conditions of a large, close to the capacity, active power output when the $\langle Q_{Tmin}, Q_{Tmax} \rangle$ range of the wind turbines' available reactive power is narrowing as shown in Fig. 4. The adjustment follows the following rules:

- Due to the speed of response and the range of available reactive power, wind turbines play an important role in the process of adjusting the selected parameter at the point of the wind farm connection
- The program's algorithm checks whether the preset reactive power (or the reactive power needed to attain the preset $\cos \varphi$ or voltage according to the static characteristics) at the wind farm's point of common coupling can be obtainable only by means of the reactive power derived from wind turbines. If so, the adjustment is limited to the change in the wind turbines' preset output $Q_{Tsetpoint}$
- If the preset value cannot be reached at the farm's connection point due to the shortage of the farm turbines' reactive power output, it is decided to change the configuration of the reactors' and capacitor banks' connections to support the regulation process with the reactive power from static sources and the reactive power generated in the farm's internal grid (the farm grid is deliberately over-compensated or under-compensated)
- The transformers in the substations of the farm are used to maintain constant voltages in the 110 and 33 kV switchgear. This reduces the impact of changes in the wind turbines' reactive power output on the voltages in the switchgear.

4. Conclusions

The characteristics of the Osieki and Banie facilities presented in the paper, as well as the URST algorithms used, are selected examples of various solutions of wind farm design and of various uses by control systems of the static power sources therein installed.

Osieki wind farm uses the installed static reactive power sources primarily to compensate for the reactive power in its internal grid during downtime and during operation in changing conditions

and configuration of the long double-circuit cable line. The wind farm investor put a great deal of emphasis on the compensation accuracy at the farm's standstill, hence the presence of an adjustable reactor with variable ratio and of additional reactors and low-power capacitor banks. The wide range of the reactive power available from wind turbines has made static reactive power sources unnecessary to meet the requirement to provide reactive power in the interval corresponding to $\cos \varphi = 0.95$. They serve instead to widen the already abundantly wide range of the reactive power available at the Osieki wind farm point of common coupling.

Banie wind farm also uses the installed reactors and capacitor banks to compensate for the reactive power in its internal grid at standstill. The concurrent use of the transformer to change the voltage in the farm's internal grid allows for increased compensation accuracy. At the farm's operation, the static sources play an important role in extending the reactive power control range and allow to meet the requirement of reactive power availability in the range corresponding to $\cos \varphi = 0.95$.

REFERENCES

1. Instrukcja Ruchu i Eksploatacji Sieci Przesyłowej [IRIESP Transmission Grid Code] Warunki korzystania, prowadzenia ruchu, eksploatacji i planowania rozwoju sieci [Conditions for using and operating the grid, and planning its development] [online], Version 2.1, consolidated text in force from February 1, 2013, http://www.pse.pl/uploads/kontener/IRIESPKorzystanie_tekst_jednolity_01022013.pdf [access: February 2017].
2. Umowa o przyłączenie do sieci przesyłowej farmy wiatrowej Osieki [The Osieki wind farm interconnection agreement] of May 10, 2010.
3. Alstom (now General Electric) technical documentation, 2014.
4. Umowa o przyłączenie do sieci przesyłowej farmy wiatrowej Banie [The Banie wind farm interconnection agreement] of October 25, 2011.
5. Vestas technical documentation, 2014.

Jarosław Klucznik

Gdańsk Branch of the Institute of Power Engineering

e-mail: j.klucznik@ien.gda.pl

Graduated from the Faculty of Electrical and Control Engineering (2007) and Faculty of Management and Economics (2010) of Gdańsk University of Technology. MSc Eng. in power system engineering Since 2007 in the Gdańsk Branch of Institute of Power Engineering. Scientific interests: power distribution calculations in power systems and system automatic control engineering, e.g. ARST transformer regulation systems and control systems for wind farms (URST).

Dariusz Kołodziej

Gdańsk Branch of the Institute of Power Engineering

e-mail: d.kolodziej@ien.gda.pl

Graduated as M.Sc. from the Faculty of Electronics at Gdańsk University of Technology (1990). Since 1991 a research assistant in the Gdańsk Branch of Institute of Power Engineering. Engaged in activities related to the development and implementation in the NPS of automatic voltage and reactive power controls in high voltage substations (ARST), control systems for wind farms (URST), coordinating of ARST system operations, and more recently to the use of wind farms for voltage control in coordination with ARST systems.

This is a supporting translation of the original text published in this issue of "Acta Energetica" on pages 105–110. When referring to the article please refer to the original text.

PL

Wybrane przykłady wykorzystania statycznych źródeł mocy biernej do kompensacji mocy biernej farmy wiatrowej oraz wspomagania regulacji napięcia i mocy biernej w punkcie przyłączenia

Autorzy

Jarosław Klucznik
Dariusz Kołodziej

Słowa kluczowe

farma wiatrowa, kompensacja mocy biernej, statyczne źródła mocy biernej, URST

Streszczenie

W artykule przedstawiono wybrane, rzeczywiste przykłady kompensacji mocy biernej sieci farmy wiatrowej z wykorzystaniem wszystkich dostępnych źródeł mocy biernej. Omówiono również możliwości poszerzenia aktualnego dostępnego zakresu regulacyjnego mocy biernej farmy wiatrowej z wykorzystaniem zainstalowanych baterii kondensatorów i dławików kompensacyjnych. Przedstawione przykłady stanowią zbiór doświadczeń z projektowania i wdrażania przez autorów artykułu układów regulacji farm wiatrowych URST w FW Osieki (województwo pomorskie) oraz w FW Banie (województwo zachodniopomorskie).

Data wpływu do redakcji: 14.02.2017

Data akceptacji artykułu: 07.03.2017

Data publikacji online: 30.06.2017

1. Wstęp

Wymagania operatora systemu przesyłowego dotyczące farm wiatrowych przyłączonych do stacji elektroenergetycznych najwyższych napięć, w tym konieczność utrzymywania zadanych wartości w punkcie przyłączenia, wymusiły instalowanie dodatkowych źródeł mocy biernej w projektowanych farmach wiatrowych.

Farmy wiatrowe, poza turbinami wiatrowymi z możliwością regulacji mocy biernej, wyposażone są w baterie kondensatorów i dławiki kompensacyjne (o stałej lub regulowanej mocy). Źródła te przede wszystkim służą do kompensacji mocy biernej sieci wewnętrznej farmy, mogą jednak być również wykorzystywane do poszerzenia możliwości regulacji napięcia i mocy biernej w punkcie przyłączenia.

W artykule przedstawiono zbiór doświadczeń z projektowania i wdrażania układów regulacji farm wiatrowych URST w FW Osieki oraz w FW Banie. Opracowane przez Instytut Energetyki układy regulacji URST przeznaczone są dla farm wiatrowych i zapewniają dopasowanie farmy wiatrowej do wymagań IRiESP [1], na przykład poprzez uzupełnienie brakujących kryteriów regulacji, realizację funkcji współpracy z nadrzędnymi układami regulacji lub objęcie funkcją regulacji statycznych źródeł mocy biernej zainstalowanych w stacji abonenskiej farmy wiatrowej.

2. Farma wiatrowa Osieki

Schemat uproszczony farmy wiatrowej Osieki (Lotnisko) przedstawiony jest na rys. 1. Farma zlokalizowana jest w okolicach Kopaniewa w powiecie lęborskim. Posiada 30 turbin wiatrowych firmy ALSTOM o łącznej mocy 90 MW. Przyłączona jest do systemu elektroenergetycznego w wydzielonej dla farm wiatrowych rozdzielni 110 kV w stacji 400/110 kV Żarnowiec. Połączenie

zostało zrealizowane za pomocą dwutorowej linii kablowej o długości ok. 40 km. Stacja abonenska Lotnisko farmy wiatrowej posiada jeden transformator TR1 110/30 kV, dławik regulowany 110 KV DŁA o mocy 29,4–67,0 Mvar, dwa dławiki 30 KV DŁ1 i DŁ2 o mocy 0,63 Mvar każdy oraz dwie baterie kondensatorów 30 kV BKR1 i BKR2 o mocach odpowiednio 0,3 i 0,4 Mvar. Turbiny wiatrowe farmy przyłączone są do rozdzielni 30 kV kilkoma liniami kablowymi i mogą one łącznie dostarczyć moc bierną w zakresie od –45 do +45 Mvar (w odniesieniu do niskiego napięcia).

Farma wiatrowa w czasie postoju, zgodnie z warunkami określonymi przez operatora systemu przesyłowego [2], powinna zapewnić utrzymanie w miejscu przyłączenia współczynnika mocy $\cos \varphi = 1,0$, czyli mieć skompensowaną moc bierną w swojej sieci wewnętrznej. Przy braku generacji mocy czynnej w turbinach wiatrowych źródłami mocy biernej w sieci wewnętrznej farmy, które powodują konieczność kompensacji, są przede wszystkim pojemności dwutorowej linii kablowej po stronie 110 kV wyprowadzającej moc z farmy do systemu elektroenergetycznego, pojemności linii kablowych łączących turbiny wiatrowe z rozdzielnią 30 kV w stacji abonenskiej, a także straty mocy biernej na reaktancjach transformatora TR1 oraz transformatorów poszczególnych turbin wiatrowych.

Zmiany napięcia U zachodzące w rozdzielni 110 kV stacji Żarnowiec wywołują zauważalne zmiany mocy biernej generowanej w dwutorowej linii kablowej 110 kV. Utrzymywanie stałego poziomu napięcia w rozdzielni 30 kV stacji abonenskiej za pomocą transformatora TR1 zmniejsza wpływ zmian napięcia 110 kV na wielkość mocy biernej generowanej w liniach 30 kV (z ograniczoną dokładnością wynikającą ze skokowej zmiany przekładni

transformatora, nastawionej strefy nieczułości i opóźnienia regulacji napięcia).

W procesie kompensacji mocy biernej sieci farmy Osieki pierwszorzędną rolę odgrywa dławik regulowany 110 kV DŁA wyposażony w 21-pozycyjny przełącznik zaczełów pozwalający na zmianę mocy, w zakresie od 29,4 do 67,0 Mvar przy napięciu znamionowym. Zakres mocy, jakim dysponuje dławik DLA, powinien wystarczyć do kompensacji mocy biernej sieci farmy pracującej z jednym torem, jak i z dwoma torami kablowymi 110 kV połączonymi równolegle. Skok mocy dławika towarzyszący zmianie zaczełu nie jest stały, przy napięciu znamionowym w okolicach 21 pozycji przełącznika zaczełów wynosi jedynie 1,0 Mvar, podczas gdy w okolicach 1 pozycji aż 3,3 Mvar. Ze względu na skokową zmianę mocy dławika DŁA o dość znacznej wartości konieczne było zastosowanie dodatkowych statycznych źródeł mocy biernej: dławików (DŁ1, DŁ2) i baterii kondensatorów (BKR1, BKR2), aby osiągnąć dostateczną dokładność kompensacji rzędu ułamka megawara mierzoną w miejscu przyłączenia farmy.

Proces automatycznej kompensacji mocy biernej sieci farmy wiatrowej Osieki (realizowany przez urządzenie oznaczone URST na rys. 1), w czasie gdy turbiny nie pracują, realizowany jest następująco:

- Transformator TR1 służy do utrzymania stałej wartości napięcia w rozdzielni 30 kV z dokładnością wynikającą z nastawionej strefy nieczułości i opóźnienia regulacji. Parametry regulacji zostały tak dobrane, aby zapewnić ograniczoną liczbę zmian położenia przełącznika zaczełów. Regulacja napięcia jest koordynowana z regulacją realizowaną za pomocą statycznych źródeł mocy biernej;
- Program kompensacji mocy biernej sprawdza wielkość odchyłki od zera

This is a supporting translation of the original text published in this issue of "Acta Energetica" on pages 105–110. When referring to the article please refer to the original text.

PL

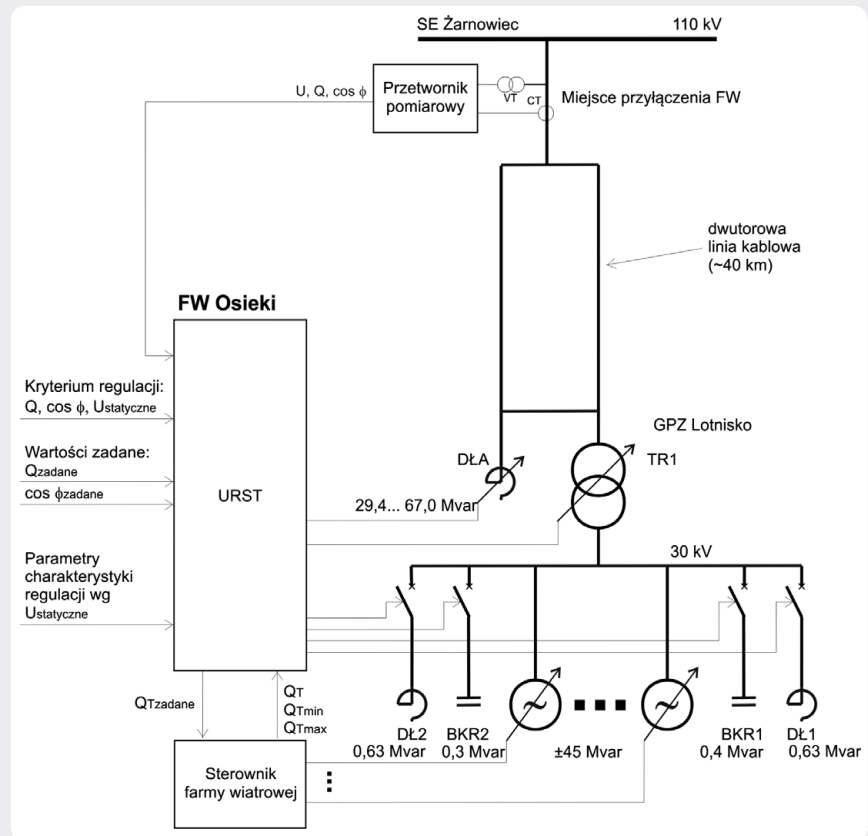
mocy biernej Q mierzonej w miejscu przyłączenia farmy w SE Żarnowiec. W przypadku stwierdzenia trwałej odchyłki mocy większej niż skok mocy dławika, DŁA towarzyszący zmianie bieżącej pozycji przełącznika zacze- pów podejmuje decyzję o zmianie mocy dławika, tzn. zmianie położenia prze- łącznika zacze- pów dławika w kierunku zapewniającym zmniejszenie wielkości odchyłki. Powyższy krok jest z pewnym opóźnieniem powtarzany, jeżeli wielkość odchyłki od zera mocy biernej w miejscu przyłączenia jest większa od skoku mocy dławika DŁA;

- Po zakończeniu działania z wykorzystaniem dławika regulowanego DŁA wykonywane jest doregulowywanie za pomocą dławików i baterii kondensatorów znajdujących się po stronie rozdzielni 30 kV. Pozwala to uzyskać dokładność rzędu ułamka megawarów. Algorytm układu oblicza i wybiera taki wariant dalszego działania, w którym moc bierna w miejscu przyłączenia farmy będzie w aktualnych warunkach bliższa wartości zerowej. Jako pierwszy wariant dalszego działania analizowana jest wyłącznie zmiana aktualnego stanu załączenia dławików i baterii kondensatorów po stronie 30 kV. Drugi wariant zakłada dodatkową zmianę położenia przełącznika zacze- pów dławika regulacyjnego DŁA, a następnie zmianę aktualnego stanu załączenia dławików i baterii kondensatorów. Ostatecznie realizowany jest ten wariant, który pozwala uzyskać moc bierną bliższą wartości zerowej w miejscu przyłączenia farmy.

Nastawione progi zadziałania (strefy nieczu- łości) i opóźnienia regulacji tak zostały dobrane, aby – podobnie jak w przypadku regulacji napięcia za pomocą TR1 – liczba zmian położenia przełącznika zacze- pów dławika regulowanego 110 kV DŁA oraz załączeń lub wyłączeń dławików i baterii kondensatorów po stronie 30 kV była ograniczona ze względu na zużycie przełącz- ników zacze- pów i wyłączników. Sterowanie wyłącznikami statycznych źródeł mocy biernej po stronie 30 kV uwzględnia również, na tyle, ile jest to możliwe, liczbę wykonanych załączeń i wyłączeń zreali- zowanych automatycznie, tak aby równo- miernie zużywać aparaturę łączeniową.

Gdy farma wiatrowa Osieki pracuje, tj. turbiny wiatrowe wytwarzają energię, zastosowanie statycznych źródeł mocy biernej ulega pewnej zmianie.

W ogólności statyczne źródła mocy biernej używane są po to, aby zapewnić spełnienie wymagania operatora systemu przesy- łowego lub dystrybucyjnego w zakresie zdolności do generacji mocy biernej przez farmę wiatrową. W turbinach wiatrowych niektórych producentów zastosowanie dodatkowych statycznych źródeł mocy biernej jest niezbędne do speł- nienia warunku dostępności mocy biernej w zakresie od $\cos \phi = 0,95$ pojemnościowej do $\cos \phi = 0,95$ indukcyjnej przy mocy czynnej równej mocy osiągalnej [1, 2]. W innych przypadkach źródła statyczne rozszerzają dostępną zakres mocy biernej poza wymagany zakres, co jest korzystne dla operatora systemu przesyłowego lub dystrybucyjnego.



Rys. 1. Uproszczony schemat FW Osieki

Turbiny wiatrowe w farmie Osieki, gdy pracują, dysponują łącznie mocą bierną w zakresie ± 45 Mvar w odniesieniu do strony niskiego napięcia. Na rys. 2 przedstawiono charakterystykę PQ pojedynczej turbiny firmy Alstom [3]. Z przedstawionego rysunku wynika, że turbiny wiatrowe ze znaczną nadwyżką spełniają wymaganie dostarczania mocy biernej z przedziału określonego przez $\cos \phi = 0,95$.

Aby zapewnić ten sam zakres mocy biernej $\cos \phi = 0,95$ w miejscu przyłączenia farmy wiatrowej do systemu elektroenergetycznego, konieczne jest skompensowanie mocy biernej w sieci wewnętrznej farmy wiatrowej także wtedy, gdy turbiny wiatrowe farmy pracują.

Tak samo jak w przypadku farmy niepracującej pojemności linii kablowych i straty mocy biernej na reaktancjach w transformatorze są odpowiedzialne za jej nieskompensowanie. Moc bierna generowana w liniach 110 i 30 kV zależy od napięć tam panujących. Ponadto do bilansu mocy biernej wchodzi strata mocy biernej zależne od wielkości mocy czynnej wytwarzanej przez turbiny wiatrowe w danej chwili. Zatem utrzymywanie stanu skompensowania sieci farmy wiatrowej jest procesem ciągłym, podążającym za zmianami napięć w miejscu przyłączenia i w sieci farmy oraz mocy czynnej wytwarzanej przez turbiny wiatrowe. Nie jest jednak konieczne realizowanie tego z taką dokładnością jak przy farmie niepracującej, gdy zależy na utrzymaniu $\cos \phi = 1,00$ w miejscu przyłączenia, a jedynie na tyle, aby zapewnić dostępność

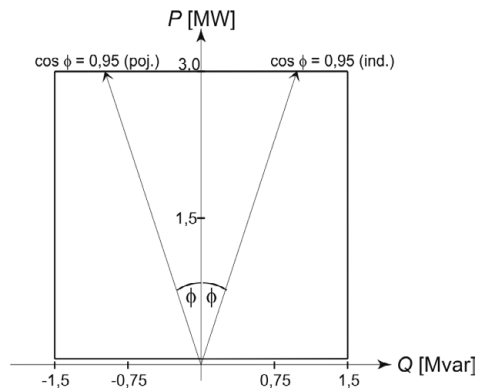
mocy biernej z zakresu określonego przez $\cos \phi = 0,95$.

Proces automatycznej regulacji, obejmujący statyczne źródła mocy biernej oraz turbiny wiatrowe, realizuje opisaną powyżej kompensację mocy biernej, ponadto wykorzystuje statyczne źródło do rozszerzania zakresu regulacyjnego mocy biernej farmy w miejscu przyłączenia wtedy, gdy jest to możliwe. Regulacja odbywa się według następujących zasad:

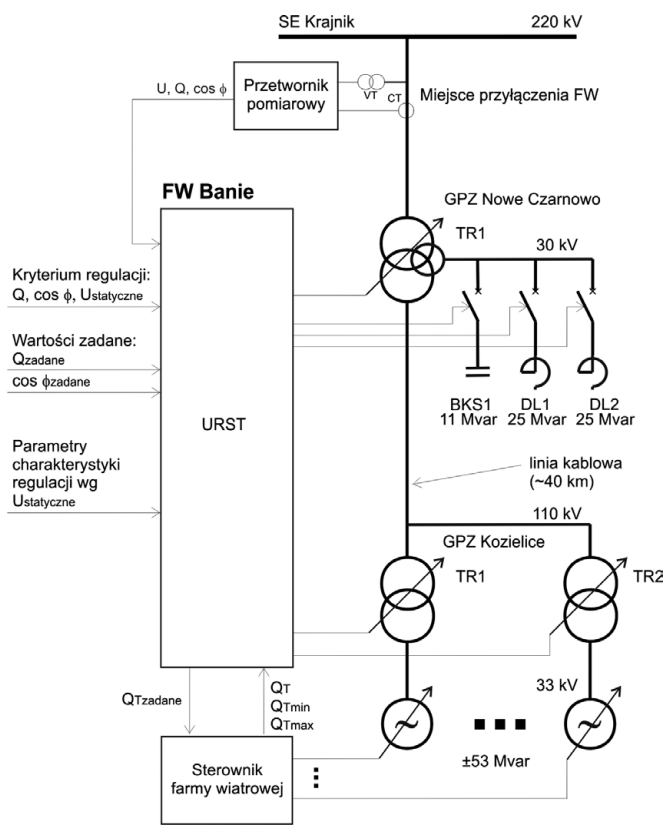
- Ze względu na szybkość reakcji i zakres dostępnej mocy biernej turbiny wiatrowe odgrywają pierwszorzędą rolę w procesie regulacji wybranej wielkości (moc bierna, współczynnik mocy, czyli $\cos \phi$, napięcie według charakterystyki statycznej) w miejscu przyłączenia farmy wiatrowej;
- Regulacja dławikiem regulowanym DŁA po stronie 110 kV, ze względu na konieczność oszczędnego korzystania z jego przełącznika zacze- pów, jest procesem powolnym służącym wyżej opisanej kompensacji mocy biernej. Obliczana jest różnica mocy biernej Q mierzonej w miejscu przyłączenia i mierzonej po stronie niskiego napięcia sumarycznej mocy biernej Q_T generowanej przez wszystkie turbiny. Różnica ta jest używana jako miara nieskompensowania sieci farmy w czasie jej pracy. Zmiany mocy dławika DŁA poprzez zmianę położenia przełącznika zacze- pów mają na celu zmniejszenie wartości tej różnicy, czyli zapewnienie spełnienia warunku dostępności mocy biernej z przedziału

This is a supporting translation of the original text published in this issue of "Acta Energetica" on pages 105–110. When referring to the article please refer to the original text.

PL



Rys. 2. Charakterystyka PQ turbiny wiatrowej FW Osieki



Rys. 3. Uproszczony schemat FW Banie

określonego przez $\cos \phi = 0,95$ w miejscu przyłączenia;

- Gdy w wyniku prowadzonej regulacji wybranej wielkości w miejscu przyłączenia następuje wyczerpywanie się możliwości regulacyjnych turbin wiatrowych, czyli gdy wartość sumarycznej mocy generowanej przez turbiny Q_T jest bliska wartości maksymalnej Q_{Tmax} lub minimalnej Q_{Tmin} mocy biernej, jaką w aktualnych warunkach mogą dostarczyć wszystkie turbiny, wykonywana jest zmiana mocy dławika DŁA w celu zwiększenia zapasu regulacyjnej mocy farmy wiatrowej. W przypadku FW Osieki przyjęto, że w przypadku, gdy

$(Q_{Tmax} - Q_T) < 10$ Mvar lub $(Q_T - Q_{Tmin}) < 10$ Mvar następuje zmiana mocy biernej dławika DŁA, dzięki czemu uzyskuje się przesunięcie sumarycznej mocy biernej turbin Q_T bliżej środka przedziału $\langle Q_{Tmin}, Q_{Tmax} \rangle$. Utrzymywanie mocy biernej Q_T bliżej środka przedziału określającego dostępny zakres mocy biernej z wszystkich turbin farmy zapewnia, że w przypadku nagłej zmiany zapotrzebowania na moc bierną lub w odpowiedzi na znaczny skok wartości zadanej skutkującej koniecznością zmiany produkcji mocy biernej nie będzie konieczne rozpoczęcie regulacji od czasochłonnej zmiany mocy dławika, gdyż zapas mocy biernej

dostępny w turbinach pozwoli na szybszą reakcję. Dodatkowo to rozwiązanie pozwala również na poszerzenie zakresu dostępnej mocy biernej poza zakres zapewniany przez turbiny o moc, jaką może w pewnej części dostarczyć dławik regulowany;

- Dławiki i baterie kondensatorów po stronie rozdzielni 30 kV nie są wykorzystywane ze względu na ich znikomą moc i brak zauważalnego wpływu na regulowane wielkości w miejscu przyłączenia farmy;
- Regulacja napięcia w rozdzielni 30 kV za pomocą transformatora TR1 odbywa się na tych samych zasadach jak w przypadku farmy, gdy nie pracuje.

3. Farma wiatrowa Banie

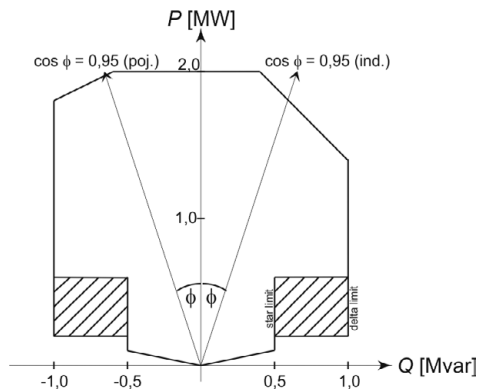
Na rys. 3 przedstawiono uproszczony schemat farmy wiatrowej Banie. Zlokalizowana jest ona w gminie Kozielice (powiat pyrzycki), gdzie zainstalowano 53 turbiny wiatrowe firmy VESTAS o łącznej mocy 106 MW oraz gdzie znajduje się stacja abonenska 110/33 kV Kozielice. Farma wiatrowa Banie przyłączona jest do systemu elektroenergetycznego w rozdzielni 220 kV stacji elektroenergetycznej 400/220/110 kV Krajnik. Moc z farmy wiatrowej wyprowadzona jest poprzez stację Kozielice za pomocą linii kablowej o długości ponad 40 km do drugiej stacji abonenskiej 220/110 kV Nowe Czarnowo, znajdującej się tuż przy stacji Krajnik, w której jest miejsce przyłączenia farmy. Stacja abonenska Kozielice posiada dwa transformatory TR1 i TR2 110/33 kV. Do rozdzielni 33 kV tej stacji przyłączone są liniami kablowymi turbiny wiatrowe. Stacja abonenska Nowe Czarnowo wyposażona jest w transformator TR1 220/110/30 kV oraz statyczne źródła mocy biernej w rozdzielni 30 kV: baterię kondensatorów BKS1 o mocy 11 Mvar oraz dwa dławiki DL1 i DL2 o mocach 25 Mvar każdy.

Podobnie jak w przypadku FW Osieki, w czasie gdy farma nie pracuje, operator systemu przesyłowego wymaga, aby w miejscu przyłączenia utrzymywany był $\cos \phi = 1,0$ [4]. Źródła mocy biernej powodujące nieskompensowanie sieci wewnętrznej farmy to pojemności linii kablowych 110 i 33 kV oraz straty mocy biernej na reaktancjach w transformatorach w obydwu stacjach abonenskich.

Do kompensacji mocy biernej sieci wewnętrznej niepracującej farmy wiatrowej Banie w pierwszym rzędzie wykorzystywane są dławiki DL1 i DL2 oraz bateria kondensatorów BKS1, załączane w rozdzielni 30 kV połączonej z trzecim uzwojeniem transformatora 220/110/30 kV TR1 w stacji Nowe Czarnowo. Moce statycznych źródeł mocy biernej dobrze zostały tak, że w wyniku odpowiedniego ich załączenia osiąga się w miejscu przyłączenia farmy wiatrowej moc bierną rzędu pojedynczych megawarów. Dalsze działania mające na celu dokładne skompensowanie sieci farmy, czyli sprowadzenie mocy biernej w punkcie przyłączenia do wartości możliwie najbliższej zeru, realizowane są z wykorzystaniem transformatora TR1 220/110/30 kV w stacji Nowe Czarnowo oraz linii kablowej 110 kV o długości ponad 40 km, łączącej obydwie

This is a supporting translation of the original text published in this issue of "Acta Energetica" on pages 105–110. When referring to the article please refer to the original text.

PL



Rys. 4. Charakterystyka PQ turbiny wiatrowej FW Banie

stacje abonenckie. Wykorzystano zależność mocy bierniej generowanej w linii kablowej od panującego w niej napięcia (uzyskano ok. 0,5 Mvar/kV). Ponieważ transformatory TR1 i TR2 w stacji Kozielice odpowiadają za utrzymanie stałej wartości napięcia w rozdzielniach 33 kV, nie jest zatem konieczne utrzymywanie stałej wartości napięcia w wewnętrznej sieci 110 kV farmy wiatrowej za pomocą transformatora TR1 w stacji Nowe Czarnowo. Utrzymywanie odpowiedniej wartości napięcia w rozdzielni 110 kV stacji Nowe Czarnowo prowadzi do wygenerowania takiej ilości mocy bierniej w linii kablowej, która jest potrzebna do dokładnego skompensowania farmy w miejscu przyłączenia (z dokładnością wynikającą ze skokowej zmiany napięcia towarzyszącej zmianie pozycji przełącznika zaczeów). Swoboda, z jaką może być zmieniane napięcie w sieci 110 kV w ramach procesu kompensacji mocy bierniej w FW Banie, sięga ok. 7–8 kV. Zależy ona od poziomu napięcia w rozdzielni 220 kV w SE Krajnik, od zakresów regulacyjnych przełączników zaczeów transformatorów w stacjach abonenckich farmy, dopuszczalnych poziomów napięć w poszczególnych rozdzielniach i innych ograniczeń.

Proces automatycznej kompensacji mocy bierniej sieci farmy wiatrowej Banie (realizowany przez urządzenie oznaczone URST na rys. 3), w czasie gdy turbiny nie pracują, realizowany jest następująco:

- Transformatory TR1 i TR2 w stacji abonenckiej Kozielice służą do utrzymania stałych wartości napięć w rozdzielniach 33 kV z dokładnością wynikającą z nastawionej strefy nieczułości i opóźnienia regulacji. Parametry regulacji zostały tak dobrane, aby zapewnić ograniczoną liczbę zmian położeń przełączników zaczeów. Regulacja napięć jest koordynowana z regulacją realizowaną za pomocą statycznych źródeł mocy bierniej;
- Program kompensacji sprawdza wielkość odchyłki od zera mocy bierniej Q mierzonej w miejscu przyłączenia farmy w SE Krajnik. W przypadku stwierdzenia dużej odchyłki mocy bierniej podejmowana jest decyzja o zmianie stanu załączenia dławików i baterii kondensatorów, tak aby wielkość odchyłki uległa zmniejszeniu;

- Po zakończeniu powyższego działania z wykorzystaniem statycznych źródeł mocy bierniej wykonywane jest doregulowywanie poprzez zmianę napięcia w rozdzielni 110 kV, czyli jedną lub kilkukrotną zmianę przekładni transformatora TR1 w stacji Nowe Czarnowo (zmianę położeń przełącznika zaczeów). W ten sposób możliwe jest uzyskanie dokładności kompensacji mocy bierniej rzędu ułamka megawarów. Zmiany napięcia w sieci 110 kV farmy wiatrowej wykonywane są, o ile nie są przekroczone dopuszczalne poziomy napięć w poszczególnych węzłach sieci wewnętrznej farmy wiatrowej i nie zostały osiągnięte skrajne położeń przełączników zaczeów poszczególnych transformatorów.

Nastawione progi zadziałania (strefy nieczułości) i opóźnienia regulacji tak zostały dobrane, aby liczba zmian położeń przełączników zaczeów poszczególnych transformatorów oraz załączeń lub wyłączeń dławików i baterii kondensatorów po stronie 30 kV była ograniczona ze względu na zużycie przełączników zaczeów i wyłączników. Sterowanie wyłącznikami statycznych źródeł mocy bierniej uwzględnia również, na tyle, ile jest to możliwe, liczbę wykonanych załączeń i wyłączeń zrealizowanych automatycznie tak, aby równomiernie zużywać aparaturę łączeniową.

Gdy farma wiatrowa Banie pracuje, statyczne źródła mocy bierniej nadal są wykorzystywane do kompensacji mocy bierniej sieci wewnętrznej farmy. Zmianie ulega jednak zastosowanie transformatora TR1 220/110/30 kV, gdyż przy pracującej farmie nie ma już potrzeby prowadzenia precyzyjnej kompensacji. Wszystkie trzy transformatory odpowiedzialne są za utrzymanie stałych wartości napięć w odpowiednich węzłach 110 i 33 kV sieci wewnętrznej farmy i za niwelowanie wpływu zmian mocy bierniej generowanej przez turbiny wiatrowe na poziomy napięć w sieci wewnętrznej farmy.

Turbiny wiatrowe w farmie Banie podczas pracy dysponują łącznie mocą bierną w zakresie ± 53 Mvar, o ile ich moce czynne są w przedziałach, w których dysponują najszerszym zakresem mocy bierniej. Na rys. 4 przedstawiono charakterystykę PQ pojedynczej turbiny firmy Vestas [5].

Z przedstawionego rysunku wynika, że same turbiny nie w pełni spełniają wymagania operatora systemu przesyłowego lub dystrybucyjnego dotyczące zdolności do generacji mocy bierniej w zakresie określonym przez $\cos \phi = 0,95$ [1, 4]. Mimo że w szerokim zakresie mocy czynnych udostępniają moc bierną z dużą nadwyżką w stosunku do wymagań, to dla mocy czynnych bliskich już mocy osiągalnej następuje wyraźne zawężenie zakresu dostępnej mocy bierniej. W takim przypadku spełnienie wymagań dotyczących zdolności do generacji mocy bierniej jest możliwe przy wsparciu ze strony dodatkowych źródeł mocy bierniej, takich jak baterie kondensatorów czy dławiki.

Proces automatycznej regulacji wybranej wielkości w miejscu przyłączenia FW Banie (moc bierna, współczynnik mocy $\cos \phi$, napięcie według charakterystyki statycznej), obejmujący statyczne źródła mocy bierniej oraz turbiny wiatrowe, realizuje opisaną powyżej kompensację mocy bierniej, gdy jest to konieczne. Wykorzystuje statyczne źródła do rozszerzania zakresu regulacyjnego mocy bierniej farmy wiatrowej jako całości w warunkach dużej generacji mocy czynnej, bliskiej mocy osiągalnej, gdy turbiny wiatrowe notują zawężenie zakresu $\langle Q_{Tmin}, Q_{Tmax} \rangle$ dostępnej mocy bierniej zgodnie z rys. 4. Regulacja odbywa się według następujących zasad:

- Ze względu na szybkość reakcji i zakres dostępnej mocy bierniej turbiny wiatrowe odgrywają pierwszorzędą rolę w procesie regulacji wybranej wielkości w miejscu przyłączenia farmy wiatrowej;
- Algorytm programu sprawdza, czy dla miejsca przyłączenia farmy wiatrowej zadana wartość mocy bierniej (lub moc bierna niezbędna dla osiągnięcia zadanej wartości $\cos \phi$ lub napięcia zgodnie z charakterystyką statyczną) jest możliwa do uzyskania wyłącznie z użyciem mocy bierniej pochodzącej od turbin wiatrowych. Jeżeli tak, to regulacja ogranicza się do zmiany zadanej generacji $Q_{Tzadane}$ turbin wiatrowych;
- Jeżeli osiągnięcie wartości zadanej w miejscu przyłączenia farmy jest niemożliwe ze względu na zbyt mały zapas mocy bierniej w turbinach wiatrowych farmy, podejmowana jest decyzja o zmianie stanu załączenia dławików i baterii kondensatorów, tak aby wspomóc proces regulacji mocą bierną ze statycznych źródeł oraz mocą bierną generowaną w sieci wewnętrznej farmy (sieć farmy zostaje celowo przeprekompensowana lub niedokompensowana);
- Transformatory w stacjach abonenckich farmy służą utrzymaniu stałej wartości napięć w rozdzielniach 110 i 33 kV. Pozwala to na zmniejszenie wpływu zmian generacji mocy bierniej przez turbiny wiatrowe na napięcia we wspomnianych rozdzielniach.

4. Wnioski

Przedstawione w artykule charakterystyki obiektów Osieki i Banie oraz zastosowane algorytmy układów URST stanowią wybrane przykłady różnych rozwiązań zarówno projektowych po stronie farm wiatrowych, jak i różnego wykorzystania przez układy

This is a supporting translation of the original text published in this issue of "Acta Energetica" on pages 105–110. When referring to the article please refer to the original text.

PL

regulacji zainstalowanych w nich statycznych źródeł mocy biernej.

Farma wiatrowa Osieki wykorzystuje zainstalowane statyczne źródła mocy biernej przede wszystkim do kompensacji mocy biernej sieci wewnętrznej w czasie postoju oraz w czasie pracy w zmieniających się warunkach i konfiguracji pracy długiej dwutorowej linii kablowej. Inwestor farmy wiatrowej położył duży nacisk na dokładność kompensacji w czasie postoju farmy, stąd obecność regulowanego dławika ze zmienną przekładnią oraz dodatkowych dławików i baterii kondensatorów małej mocy. Szeroki zakres dostępnej mocy biernej z turbin wiatrowych spowodował, że statyczne źródła mocy biernej nie są konieczne do spełnienia wymagania dotyczącego udostępnienia mocy biernej z przedziału określonego przez $\cos \varphi = 0,95$. Służą one natomiast poszerzeniu i tak już

z nadmiarem szerokiego zakresu dostępnej mocy biernej w miejscu przyłączenia farmy wiatrowej Osieki.

Farma wiatrowa Banie również wykorzystuje zainstalowane dławiki i baterię kondensatorów do kompensacji mocy biernej sieci wewnętrznej w czasie postoju. Jednoczesne wykorzystanie transformatora do zmiany napięcia w wewnętrznej sieci farmy pozwala na zwiększenie dokładności kompensacji. Podczas pracy statyczne źródła odgrywają istotną rolę w poszerzeniu zakresu regulacyjnego mocy biernej i umożliwiają spełnienie wymagania dotyczącego dostępności mocy biernej w zakresie wyznaczonym przez $\cos \varphi = 0,95$.

Bibliografia

1. Instrukcja Ruchu i Eksploatacji Sieci Przesyłowej. Warunki korzystania, prowadzenia ruchu, eksploatacji i planowania rozwoju sieci [online], Wersja 2.1, Tekst obowiązujący od 1 lutego 2013. http://www.pse.pl/uploads/kontener/IRiESP_Korzystanie_tekst_jednolity_01022013.pdf [dostęp: luty 2017].
2. Umowa o przyłączenie do sieci przesyłowej farmy wiatrowej Osieki z 10 maja 2010.
3. Dokumentacja techniczna firmy Alstom [obecnie General Electric], 2014.
4. Umowa o przyłączenie do sieci przesyłowej farmy wiatrowej Banie z 25 października 2011.
5. Dokumentacja techniczna firmy Vestas, 2014.

Jarosław Klucznik

mgr inż.

Instytut Energetyki Instytut Badawczy Oddział Gdańsk

e-mail: j.klucznik@ien.gda.pl

Absolwent Wydziału Elektrotechniki i Automatyki (2007) oraz Wydziału Zarządzania i Ekonomii (2010) Politechniki Gdańskiej. Magister inżynier specjalności systemy elektroenergetyczne. Od 2007 roku zatrudniony w gdańskim oddziale Instytutu Energetyki. Do obszaru jego zainteresowań naukowych należą: obliczenia rozprywe w systemie elektroenergetycznym oraz systemowa automatyka regulacyjna – układy regulacji transformatorowej ARST, układy regulacji farm wiatrowych URST.

Dariusz Kołodziej

mgr inż.

Instytut Energetyki Instytut Badawczy Oddział Gdańsk

e-mail: d.kolodziej@ien.gda.pl

Ukończył studia magisterskie na Wydziale Elektroniki Politechniki Gdańskiej (1990). Od 1991 roku jest zatrudniony w Instytucie Energetyki Oddział Gdańsk na stanowisku asystenta. Zajmuje się działalnością związaną z rozwojem i wdrażaniem w KSE układów automatycznej regulacji napięcia i mocy biernej stacji najwyższych napięć (ARST), układów regulacji dla farm wiatrowych (URST), koordynacją pracy układów regulacji ARST, a w ostatnim czasie z wykorzystaniem farm wiatrowych do regulacji napięć w powiązaniu z układami ARST.